

020-5383-0

4

3

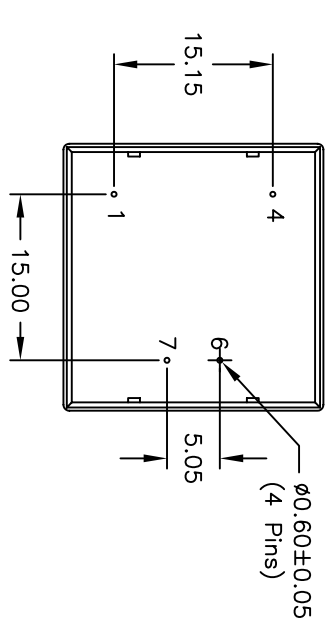
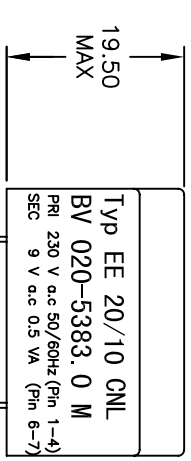
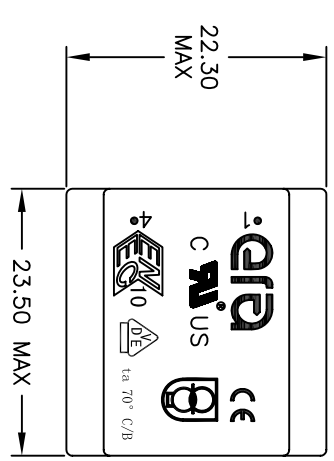
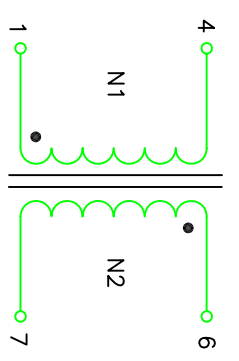
2

1

NOTES:  
 ELECTRICAL CHARACTERISTICS: TESTING IS PERFORMED AT 25°C ±5°C  
 UNLESS OTHERWISE SPECIFIED, TESTING IS PERFORMED AT 25°C ±5°C  
 (FOR REFERENCE ONLY. USED FOR CUSTOMER INFORMATION)

ITEM	SPECIFICATION	TEST CONDITIONS	VALUE	UNIT
1	I <sub>o</sub> : @ NO LOAD	INPUT 230 V, 50Hz	MAX 13.80	mA
2	P <sub>w</sub> o: @ NO LOAD	INPUT 230 V, 50Hz	MAX 1.90	W
3	U <sub>o</sub> 1: @ NO LOAD	INPUT 230 V, 50Hz	13.50±10%	V
4	I: CURRENT WITH LOAD	INPUT 230 V, 50Hz	MAX 14.20	mA
5	P <sub>w</sub> e: WATTAGE WITH LOAD	INPUT 230 V, 50Hz	MAX 2.40	W
6	U <sub>1</sub> : NOMINAL LOAD	INPUT 230 V, 50Hz AT LOAD 56 mA	9.0	V
7	HI-POT: (1,4) TO (6,7)	/	4000VAC, 2 SEC	
8	RATED OUTPUT POWER	/	0.5	VA

MECHANICAL SPEC NOTES:  
 1. ALL DIMENSIONS ARE IN MM. GENERAL TOLERANCE IS 0.20 MM.  
 2. ALL PIN LENGTH DON'T INCLUDE TIN ICICLE.



SCHEMATIC

FINAL OUTLINE

~~UNLESS OTHERWISE SPECIFIED, ALL DIMENSIONS ARE IN MILLIMETERS. TOLERANCES ARE:~~  
 DECIMALS: .XX ±.01 ANGLES: ±1°  
 FRACTIONS: .XXX ±.005  
 DO NOT SCALE DRAWINGS

SIZE: 020-5383-0  
 DWG. NO.: 020-5383-0  
 SCALE: NONE  
 SHEET: 1 OF 1  
 REV: 15

13027204