

020-5423-0

4

3

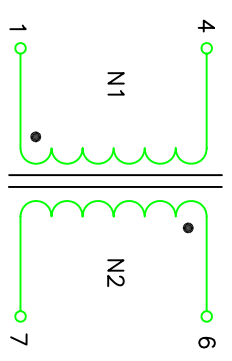
2

1

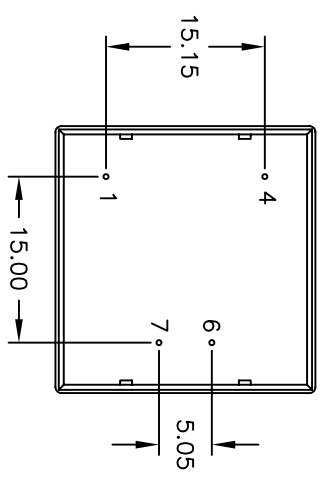
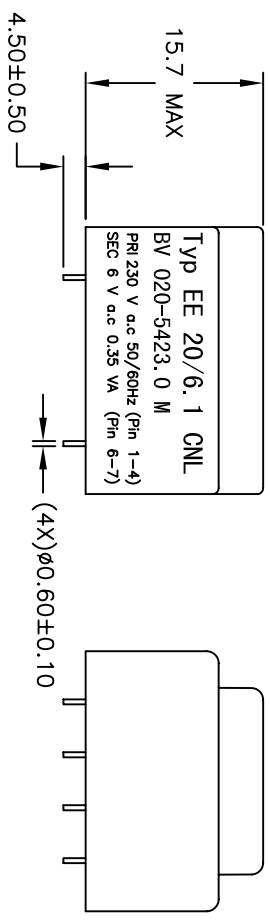
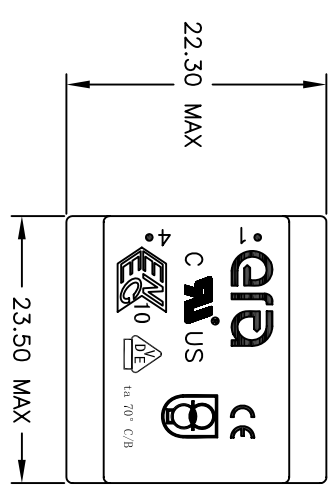
NOTES:
 ELECTRICAL CHARACTERISTICS: TESTING IS PERFORMED AT 25°C ±5°C
 UNLESS OTHERWISE SPECIFIED.
 (FOR REFERENCE ONLY. USED FOR CUSTOMER INFORMATION)

ITEM	SPECIFICATION	TEST CONDITIONS	VALUE	UNIT
1	I _o : @ NO LOAD	INPUT 230 V, 50HZ	MAX 12.7	mA
2	P _w o: @ NO LOAD	INPUT 230 V, 50HZ	MAX 2.12	W
3	U _o 1: @ NO LOAD	INPUT 230 V, 50HZ	9.8±7%	V
4	I: CURRENT WITH LOAD	INPUT 230 V, 50HZ	MAX 11.3	mA
5	P _w e: WATTAGE WITH LOAD	INPUT 230 V, 50HZ	MAX 2.31	W
6	U ₁ : NOMINAL LOAD	INPUT 230 V, 50HZ AT LOAD 58 mA	6.0	V
7	HI-POT: (1,4) TO (6,7)	/	4000VAC, 2 SEC	

MECHANICAL SPEC NOTES:
 1. ALL DIMENSIONS ARE IN MM.
 2. ALL PIN LENGTH DON'T INCLUDE TIN ICICLE.



SCHEMATIC



FINAL OUTLINE

~~UNLESS OTHERWISE SPECIFIED, ALL DIMENSIONS ARE IN MILLIMETERS. TOLERANCES ARE: DECIMALS ANGLES .XX ±.01 ±1° .XXX ±.005~~
 DO NOT SCALE DRAWINGS

SIZE	GRADE CODE	DWG. NO.	SHEET	REV
B01961	NONE	020-5423-0	1 OF 1	16

A

4

2

1

A

B

C

D