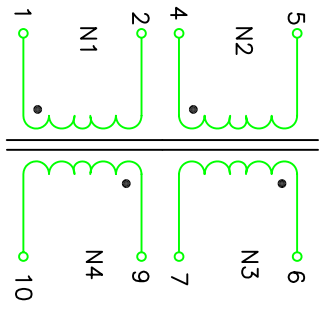


- NOTES:
 1. ALL DIMENSIONS ARE IN MM.
 2. ELECTRICAL CHARACTERISTICS:
 UNLESS OTHERWISE SPECIFIED, TESTING IS PERFORMED AT 25°C ±5°C
 (FOR REFERENCE ONLY. USED FOR CUSTOMER INFORMATION)

ITEM	SPECIFICATION	TEST CONDITIONS	VALUE	UNIT
1	I _o : @ NO LOAD	INPUT 230 V, 50HZ	max. 15	mA
2	P _w o: @ NO LOAD	INPUT 230 V, 50HZ	max. 1.2	W
3	U _o 1: @ NO LOAD	INPUT 230 V, 50HZ	11.90±10%	V
4	U _o 2: @ NO LOAD	INPUT 230 V, 50HZ	11.90±10%	V
5	I: @CURRENT WITH LOAD	INPUT 230 V, 50HZ	max. 18	mA
6	P _w e: WATTAGE WITH LOAD	INPUT 230 V, 50HZ	max. 3.50	W
7	U1: @ NOM LOAD	INPUT 230 V, 50HZ AT LOAD 55,5 mA	9.50 ±10%	V
8	U2: @ NOM LOAD	INPUT 230 V, 50HZ AT LOAD 55,5 mA	9.30 ±10%	V
9	HI-POT:(1,2,4,5)T0(6,7,9,10)	/	4000VAC, 2 SEC	
10	HI-POT:(7to10)&(2to4)	/	1000VAC, 2 SEC	



SCHEMATIC

