

020-5480-0

4

3

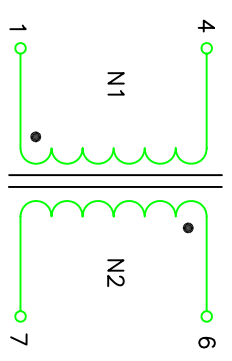
2

1

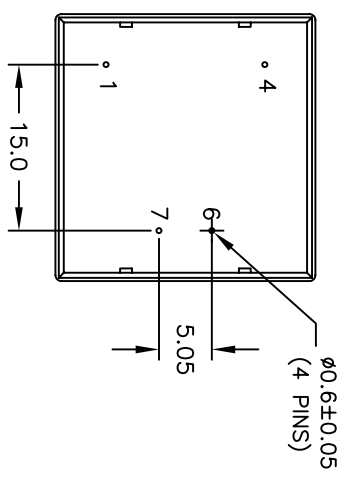
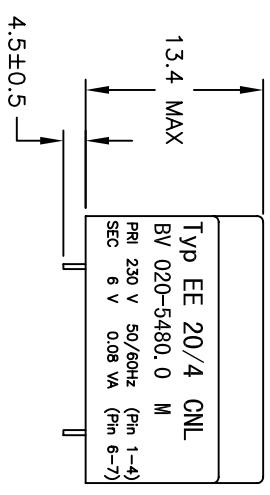
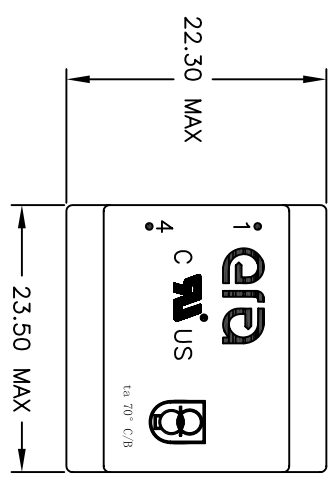
NOTES:  
 ELECTRICAL CHARACTERISTICS: TESTING IS PERFORMED AT 25°C ±5°C  
 UNLESS OTHERWISE SPECIFIED, TESTING IS PERFORMED AT 25°C ±5°C  
 (FOR REFERENCE ONLY. USED FOR CUSTOMER INFORMATION)

ITEM	SPECIFICATION	TEST CONDITIONS	VALUE	UNIT
1	I <sub>o</sub> : @ NO LOAD	INPUT 230 V, 50Hz	MAX 11.00	mA
2	P <sub>w</sub> o: @ NO LOAD	INPUT 230 V, 50Hz	MAX 2.00	W
3	U <sub>o</sub> 1: @ NO LOAD	INPUT 230 V, 50Hz	9.20±10%	V
4	I <sub>e</sub> : CURRENT WITH LOAD	INPUT 230 V, 50Hz	MAX 10.90	mA
5	P <sub>w</sub> e: WATTAGE WITH LOAD	INPUT 230 V, 50Hz	MAX 2.00	W
6	U <sub>1</sub> : NOMINAL LOAD	INPUT 230 V, 50Hz AT LOAD 13.3 mA	6	V
7	HI-POT: (1,4) TO (6,7)	/	4000VAC, 2 SEC	

MECHANICAL SPEC NOTES:  
 1. ALL DIMENSIONS ARE IN MM. GENERAL TOLERANCE IS 0.20 MM.  
 2. ALL PIN LENGTH DON'T INCLUDE TIN ICICLE.



SCHEMATIC



FINAL OUTLINE

~~UNLESS OTHERWISE SPECIFIED, ALL DIMENSIONS ARE IN MILLIMETERS. TOLERANCES ARE:~~  
 DECIMALS ±.01 ANGLES ±1°  
 .XXX ±.005  
 DO NOT SCALE DRAWINGS

SIZE: **B01961** DWG. NO: 020-5480-0 SHEET 1 OF 1  
 SCALE: NONE CAD FILE: REV 13

130372004