

020-5425-0

4

3

2

1

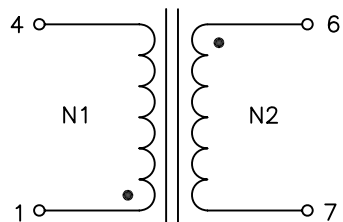
## NOTES:

ELECTRICAL CHARACTERISTICS:  
UNLESS OTHERWISE SPECIFIED, TESTING IS PERFORMED AT 25°C ±5°C  
(FOR REFERENCE ONLY. USED FOR CUSTOMER INFORMATION)

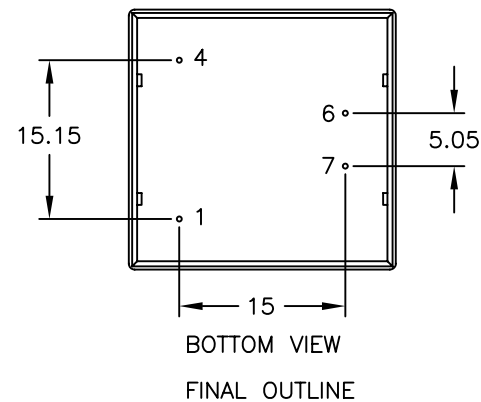
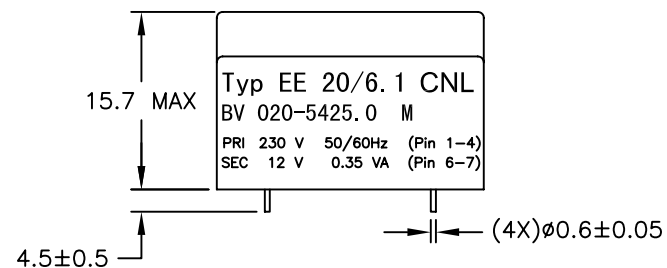
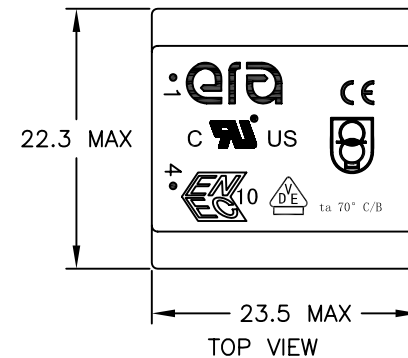
ITEM	SPECIFICATION	TEST CONDITIONS	VALUE	UNIT
1	I <sub>o</sub> : @ NO LOAD	INPUT 230 V, 50Hz	12.73 MAX	mA
2	P <sub>w</sub> : @ NO LOAD	INPUT 230 V, 50Hz	2.13 MAX	W
3	U <sub>o1</sub> : @ NO LOAD	INPUT 230 V, 50Hz	21.1±10%	V
4	I: CURRENT WITH LOAD	INPUT 230 V, 50Hz	10.78 MAX	mA
5	P <sub>w</sub> : WATTAGE WITH LOAD	INPUT 230 V, 50Hz	2.21 MAX	W
6	U1: NOMINAL LOAD	INPUT 230 V, 50Hz AT LOAD 29.1 mA	12	V
7	HI-POT: (1,4) TO (6,7)	/	4000VAC, 2 SEC	

## MECHANICAL SPEC NOTES:

- ALL DIMENSIONS ARE IN MM. GENERAL TOLERANCE IS 0.20MM.
- ALL PIN LENGTH DON'T INCLUDE TIN ICICLE.



SCHEMATIC



DWG. NO.

020-5425-0

REV

14

SHEET

1 OF 1