

020-5413-1

4

3

2

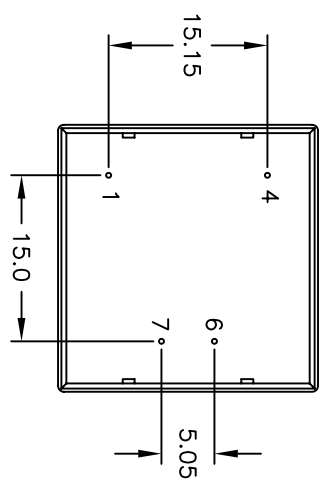
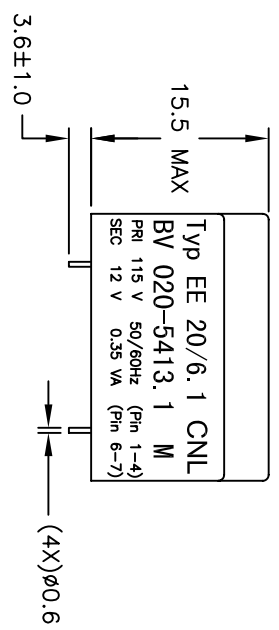
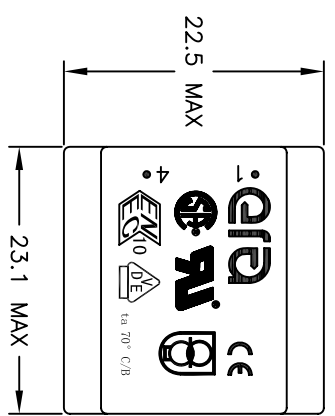
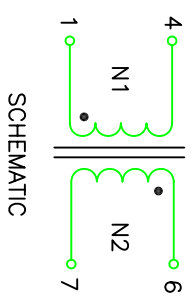
1

NOTES:
 ELECTRICAL CHARACTERISTICS:
 UNLESS OTHERWISE SPECIFIED, TESTING IS PERFORMED AT 25°C ±5°C
 (FOR REFERENCE ONLY. USED FOR CUSTOMER INFORMATION)

ITEM	SPECIFICATION	TEST CONDITIONS	VALUE	UNIT
1	I _o : @ NO LOAD	INPUT 115 V, 50Hz	28.50 MAX	mA
2	P _w o: @ NO LOAD	INPUT 115 V, 50Hz	2.40 MAX	W
3	U _o 1: @ NO LOAD	INPUT 115 V, 50Hz	22.70 ±10%	V
4	I _e :@ CURRENT WITH LOAD	INPUT 115 V, 50Hz	24.40 MAX	mA
5	P _w e:@WATTAGE WITH LOAD	INPUT 115 V, 50Hz	2.40 MAX	W
6	U _o 1: @ NOMINSL LOAD	INPUT 115 V, 50Hz AT LOAD 29.1 mA	12	V
7	HI-POT:(1,4) TO (6,7)	/	4000VAC, 2 SEC	

MECHANICAL SPEC NOTES:

1. ALL DIMENSIONS ARE IN MM,GENERAL TOLERANCE IS ±0.20MM.
2. ALL PIN LENGTH DON'T INCLUDE TIN ICICLE.



A

B

C

D

A

B

C

D

4

3

2

1

DWG. NO.

020-5413-1

SHEET

1 OF 1

REV

12