

020-5411-0

4

3

2

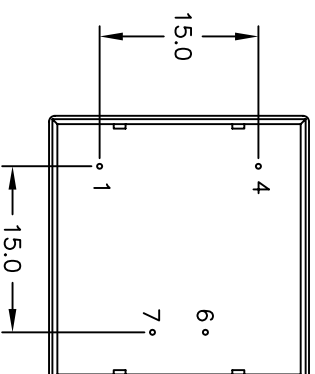
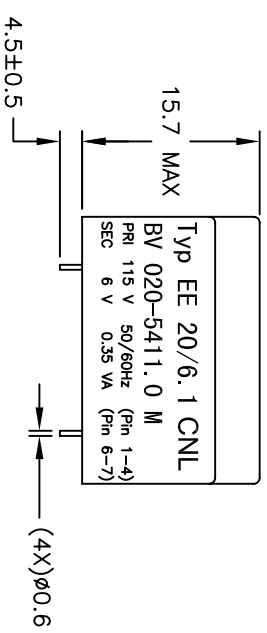
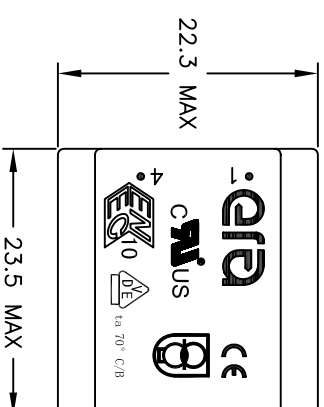
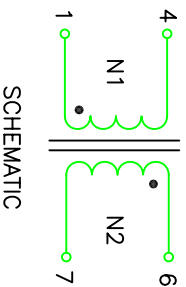
1

NOTES:  
ELECTRICAL CHARACTERISTICS:  
UNLESS OTHERWISE SPECIFIED, TESTING IS PERFORMED AT 25°C ±5°C  
(FOR REFERENCE ONLY. USED FOR CUSTOMER INFORMATION)

| ITEM | SPECIFICATION                       | TEST CONDITIONS                    | VALUE          | UNIT |
|------|-------------------------------------|------------------------------------|----------------|------|
| 1    | I <sub>o</sub> : @ NO LOAD          | INPUT 115 V, 50Hz                  | 28.50 MAX      | mA   |
| 2    | P <sub>w</sub> o: @ NO LOAD         | INPUT 115 V, 50Hz                  | 2.40 MAX       | W    |
| 3    | U <sub>o</sub> 1: @ NO LOAD         | INPUT 115 V, 50Hz                  | 10.00 ±10%     | V    |
| 4    | I <sub>e</sub> :@ CURRENT WITH LOAD | INPUT 115 V, 50Hz                  | 24.40 MAX      | mA   |
| 5    | P <sub>w</sub> e:@WATTAGE WITH LOAD | INPUT 115 V, 50Hz                  | 2.40 MAX       | W    |
| 6    | U <sub>o</sub> 1: @ NOMINAL LOAD    | INPUT 115 V, 50Hz<br>AT LOAD 58 mA | 6              | V    |
| 7    | HI-POT:(1,4) TO (6,7)               | /                                  | 4000VAC, 2 SEC |      |

MECHANICAL SPEC NOTES:

1. ALL DIMENSIONS ARE IN MM,GENERAL TOLERANCE IS ±0.20MM.
2. ALL PIN LENGTH DON'T INCLUDE TIN ICICLE.



FINAL OUTLINE

DWG. NO.

020-5411-0

SHEET

1 OF 1

REV

12

A

B

C

D

4

3

2

1

A

B

C

D

130327204