

020-5384-0

4

3

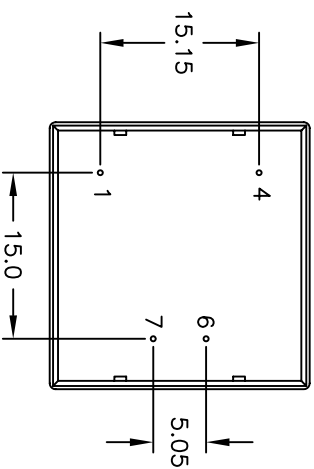
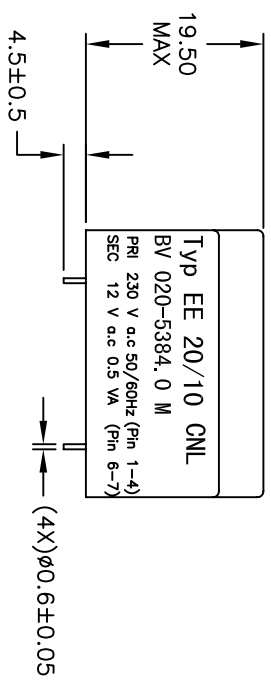
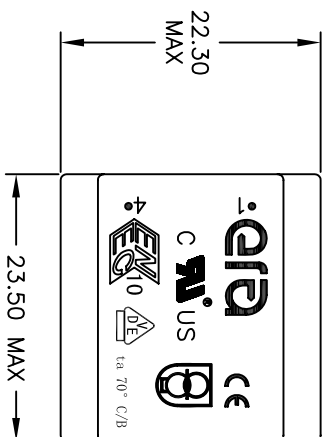
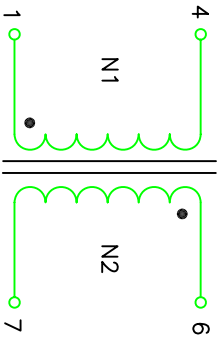
2

1

NOTES:
ELECTRICAL CHARACTERISTICS: TESTING IS PERFORMED AT 25°C ±5°C
UNLESS OTHERWISE SPECIFIED, TESTING IS PERFORMED AT 25°C ±5°C
(FOR REFERENCE ONLY. USED FOR CUSTOMER INFORMATION)

ITEM	SPECIFICATION	TEST CONDITIONS	VALUE	UNIT
1	I _o (1-4): @ NO LOAD	INPUT 230 V, 50HZ	MAX 13.80	mA
2	P _w o(1-4): @ NO LOAD	INPUT 230 V, 50HZ	MAX 1.60	W
3	U _o (6-7): @ NO LOAD	INPUT 230 V, 50HZ	19.40±10%	V
4	I _e (1-4): CURRENT WITH LOAD	INPUT 230 V, 50HZ	MAX 11.80	mA
5	P _w e(1-4): WATTAGE WITH LOAD	INPUT 230 V, 50HZ	MAX 2.00	W
6	U(6-7): NOMINAL LOAD	INPUT 230 V, 50HZ AT LOAD 42 mA	12.0±10%	V
7	HI-POT: (1,4) TO (6,7)	/	4000VAC, 2 SEC	

MECHANICAL SPEC NOTES:
1. ALL DIMENSIONS ARE IN MM. GENERAL TOLERANCE IS 0.20MM.
2. ALL PIN LENGTH DON'T INCLUDE TIN ICICLE.



SCHEMATIC

FINAL OUTLINE

~~UNLESS OTHERWISE SPECIFIED, ALL DIMENSIONS ARE IN MILLIMETERS. DIMENSIONS ARE IN INCHES.~~
XX ±.01 ANGLES ± 1°
.XXX ±.005
DO NOT SCALE DRAWINGS

SIZE: B01961
DWG. NO.: 020-5384-0
SCALE: NONE
SHEET: 1 OF 1
REV: 13

13027204